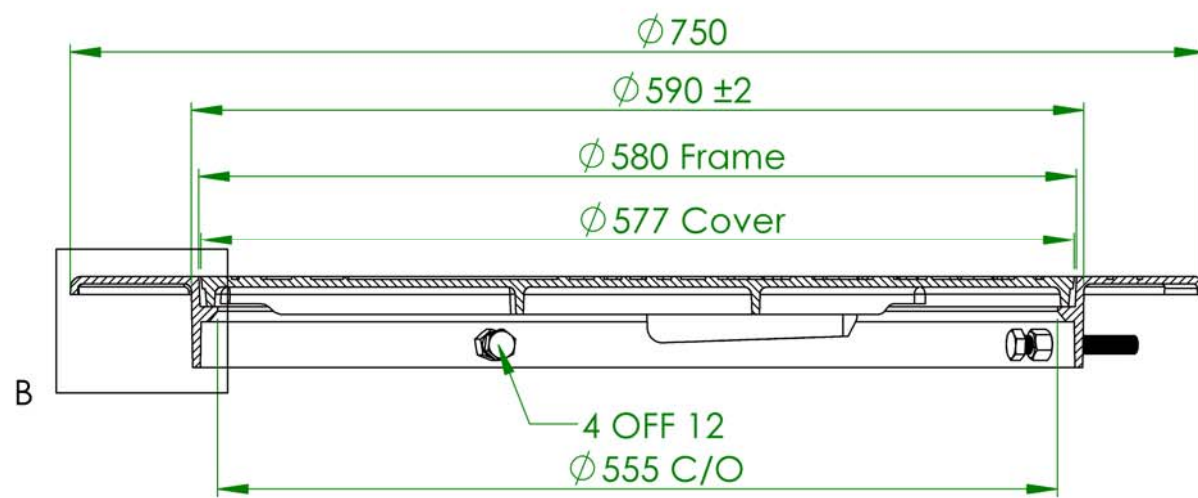
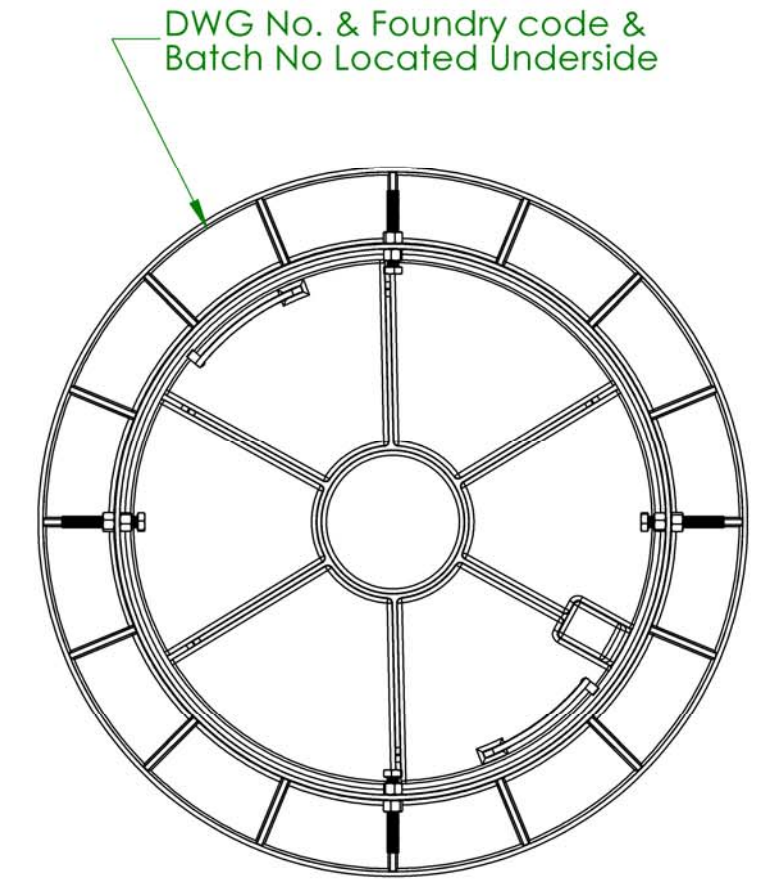
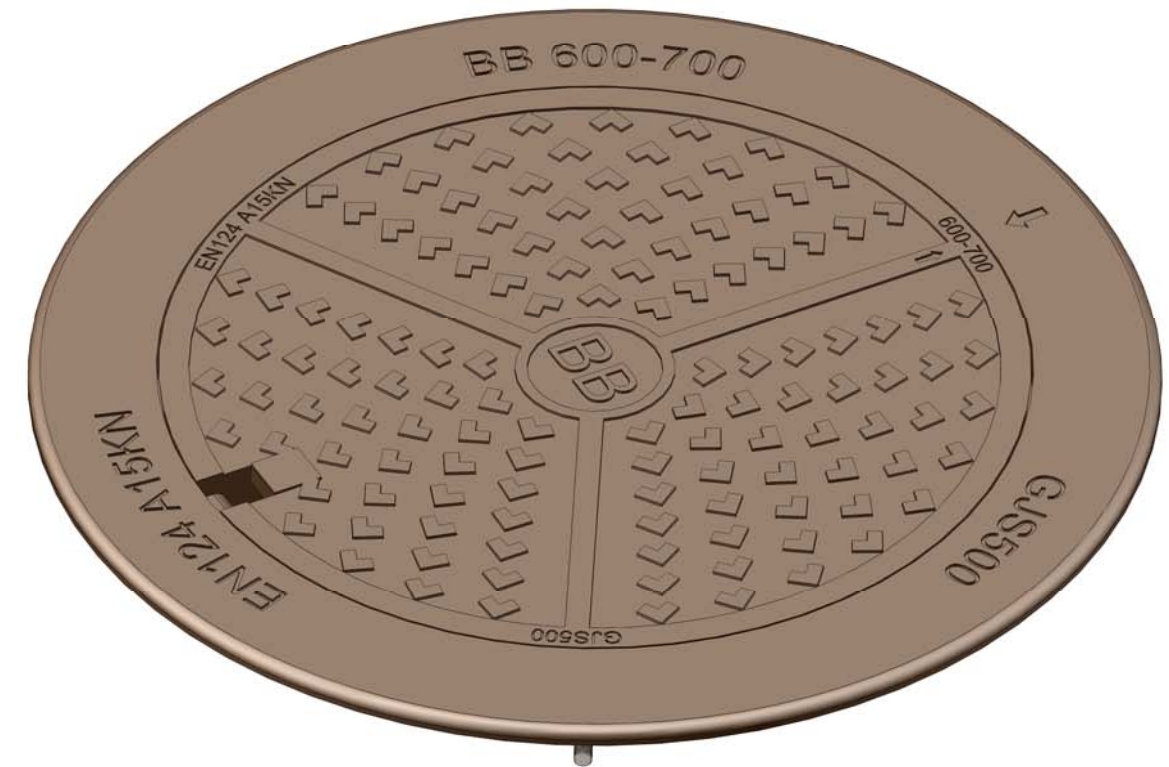


SECTION B
SCALE 1 : 2



SECTION A-A



- Note:
1. General Tolerance as per ISO 8062 CT11
 2. Coating: Grey Brown Painting
 3. Frame Weight: 12.5kg
 4. Cover Weight: 13.5kg

REVISION	No	DATE	DESCRIPTION	BY	CHKD.
B	23-05-2015		Alignment symbol is added	ZX.Y	ZS.S
A	22-12-2014		Original design	ZX.Y	ZS.S

UNLESS OTHERWISE STATED
DIMENSIONS ARE IN MILLIMETERS
CASTING RADII 3-5mm
DRAFT TAPERS 2°

CAST TOLERANCE
LINEAR

CASTING DIM	TOLERANCE (+/-)
100mm	2.0mm
100~400mm	2.8mm
400~1000mm	3.8mm
1000~1600mm	4.6mm
1600~2500mm	5.4mm

CASTING TOLERANCE
ANGULAR ±0.5°
DENOTES
MACHINED SURFACE ✓

BB
produkter

PRT No:
MATERIAL:
GJS-500-7

THIRD ANGLE
PROJECTION

TITLE: 600-700 Circular Cover Assy A15KN					
DRAWN: ZX.Y	SCALE: N.T.S.	VERSION: A3	DESIGN WEIGHT: 26 kg		
CHECKED: ZS.S	DRG No:	B	SHT 1 / 1		
DATE: 22-12-2014					